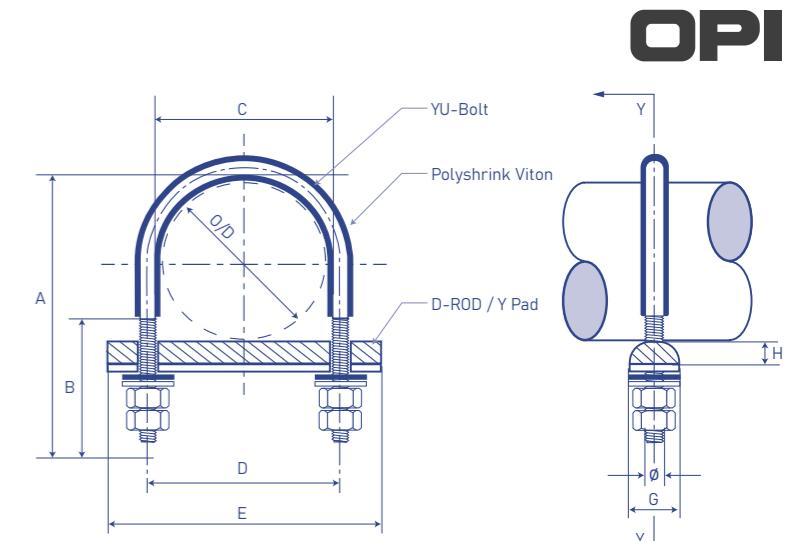
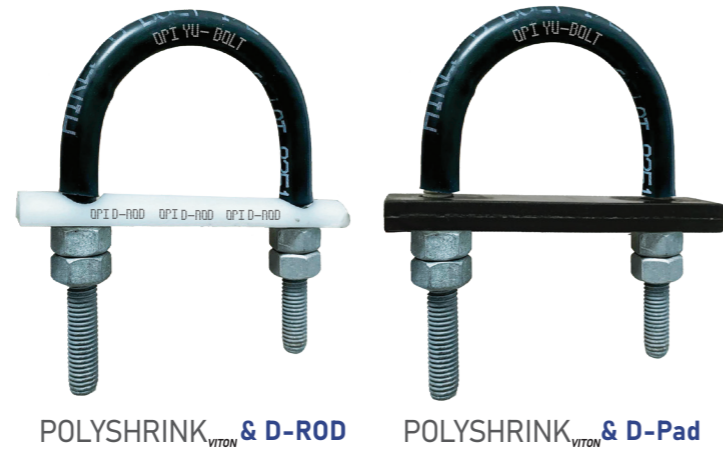


YU-BOLT TYPE 1: YU-BOLT WITH VITON NORMAL SERIES



*Polyshrink wall thickness : 0.89 +/- 0.18 mm

Part no.	Material			Coating			POLYSHRINK_VITON		D-ROD			Y Pad	
	Carbon steel	SS304	SS316	None	HDG	Xylan Blue	Inclusive	Exclusive	PTFE	Ultem 1000	Peek	Neoprene	Neoprene + PTFE
YB1XX-C121R1	•				•		•		•				
YB1XX-C121R2	•				•		•			•			
YB1XX-C121R3	•				•		•				•		
YB1XX-C121W1	•				•		•					•	
YB1XX-C121W2	•				•		•						•
YB1XX-C131R1	•				•	•	•		•				
YB1XX-C131R2	•				•	•	•			•			
YB1XX-C131R3	•				•	•	•				•		
YB1XX-C131W1	•				•	•	•					•	
YB1XX-C131W2	•				•	•	•						•
YB1XX-C122R1	•				•		•		•				
YB1XX-C122R2	•				•		•			•			
YB1XX-C122R3	•				•		•				•		
YB1XX-C122W1	•				•		•					•	
YB1XX-C122W2	•				•		•						•
YB1XX-C132R1	•				•	•	•		•				
YB1XX-C132R2	•				•	•	•			•			
YB1XX-C132R3	•				•	•	•				•		
YB1XX-C132W1	•				•	•	•					•	
YB1XX-C132W2	•				•	•	•						•
YB1XX-S111R1		•			•		•		•				
YB1XX-S111R2		•			•		•			•			
YB1XX-S111R3		•			•		•				•		
YB1XX-S111W1		•			•		•					•	
YB1XX-S111W2		•			•		•						•
YB1XX-S112R1		•			•		•		•				
YB1XX-S112R2		•			•		•			•			
YB1XX-S112R3		•			•		•				•		
YB1XX-S112W1		•			•		•					•	
YB1XX-S112W2		•			•		•						•
YB1XX-S211R1			•		•		•		•				
YB1XX-S211R2			•		•		•			•			
YB1XX-S211R3			•		•		•				•		
YB1XX-S211W1			•		•		•					•	
YB1XX-S211W2			•		•		•						•
YB1XX-S212R1			•		•		•		•				
YB1XX-S212R2			•		•		•			•			
YB1XX-S212R3			•		•		•				•		
YB1XX-S212W1			•		•		•					•	
YB1XX-S212W2			•		•		•						•

YU-BOLT							D-ROD					Y Pad							
Size	Normal pipe size	Bolt Diameter	YU-Bolt Height	Thread length	Inside gap	PCD	PTFE	Ultem 1000	Peek	YU-RODs length	YU-RODs hole diameter	YU-RODs width	YU-RODs height	Neoprene Y Pad	Neoprene Y Pad + PTFE	Y Pad length	Y Pad hole diameter	Y Pad width	Y Pad height
(XX)	NPS	A	B	C	D					E	F	G	H			E	F	G	K
01	3/8"	1/4"	1-1/2"	7/8"	3/4"	[25.4]	YB101-R1	YB101-R2	YB101-R3	2"	3/8"	7/16"	1"	YB101-W1	YB101-W2	2"	3/8"	7/16"	[10]
02	1/2"	1/4"	1-1/2"	7/8"	7/8"	[28.58]	YB102-R1	YB102-R2	YB102-R3	2"	3/8"	7/16"	1"	YB102-W1	YB102-W2	2"	3/8"	7/16"	[10]
03	3/4"	1/4"	1-3/4"	1"	1-1/8"	[31.93]	YB103-R1	YB103-R2	YB103-R3	3"	3/8"	7/16"	1"	YB103-W1	YB103-W2	3"	3/8"	7/16"	[10]
04	1"	1/4"	2-3/8"	1-1/4"	1-3/8"	[41.33]	YB104-R1	YB104-R2	YB104-R3	3"	3/8"	7/16"	1"	YB104-W1	YB104-W2	3"	3/8"	7/16"	[10]
05	1"	5/16"	2-1/4"	1-1/8"	1-3/8"	[42.87]	YB105-R1	YB105-R2	YB105-R3	3"	1/2"	7/16"	1"	YB105-W1	YB105-W2	3"	1/2"	7/16"	[10]
06	1-1/8"	5/16"	2-1/4"	1-1/8"	1-1/2"	[46.04]	YB106-R1	YB106-R2	YB106-R3	3"	1/2"	7/16"	1"	YB106-W1	YB106-W2	3"	1/2"	7/16"	[10]
07	1-1/4"	5/16"	2-1/2"	1-1/4"	1-3/4"	[52.39]	YB107-R1	YB107-R2	YB107-R3	3-1/2"	1/2"	7/16"	1"	YB107-W1	YB107-W2	3-1/2"	1/2"	7/16"	[10]
08	1-1/2"	5/16"	3"	1-1/2"	2"	[58.74]	YB108-R1	YB108-R2	YB108-R3	4"	1/2"	7/16"	1"	YB108-W1	YB108-W2	4"	1/2"	7/16"	[10]
09	1-3/4"	5/16"	3"	1-1/2"	2-1/4"	[65.09]	YB109-R1	YB109-R2	YB109-R3	4"	1/2"	7/16"	1"	YB109-W1	YB109-W2	4"	1/2"	7/16"	[10]
10	2"	5/16"	3-1/2"	1-5/8"	2-1/2"	[71.44]	YB110-R1	YB110-R2	YB110-R3	4-1/2"	1/2"	7/16"	1"	YB110-W1	YB110-W2	4-1/2"	1/2"	7/16"	[10]
11	2-1/4"	5/16"	3-1/2"	1-5/8"	2-3/4"	[77.79]	YB111-R1	YB111-R2	YB111-R3	4-1/2"	1/2"	7/16"	1"	YB111-W1	YB111-W2	4-1/2"	1/2"	7/16"	[10]
12	2-1/2"	5/16"	4-1/4"	1-3/4"	3"	[84.14]	YB112-R1	YB112-R2	YB112-R3	5"	1/2"	7/16"	1"	YB112-W1	YB112-W2	5"	1/2"	7/16"	[10]
13	2-3/4"	5/16"	4-1/4"	1-3/4"	3-1/4"	[90.49]	YB113-R1	YB113-R2	YB113-R3	6"	1/2"	7/16"	1"	YB113-W1	YB113-W2	6"	1/2"	7/16"	[10]
14	3"	3/8"	4-1/2"	2"	3-1/2"	[98.43]	YB114-R1	YB114-R2	YB114-R3	6"	1/2"	7/16"	1"	YB114-W1	YB114-W2	6"	1/2"	7/16"	[10]
15	3-1/2"	3/8"	5"	2"	4"	[111.13]	YB115-R1	YB115-R2	YB115-R3	7"	1/2"	7/16"	1"	YB115-W1	YB115-W2	7"	1/2"	7/16"	[10]
16	4"	3/8"	5-3/4"	2"	4-1/2"	[123.83]	YB116-R1	YB116-R2	YB116-R3	7"	1/2"	7/16"	1"	YB116-W1	YB116-W2	7"	1/2"	7/16"	[10]
17	4-1/2"	3/8"	6-3/4"	2-1/4"	5"	[136.53]	YB117-R1	YB117-R2	YB117-R3	8"	1/2"	7/16"	1"	YB117-W1	YB117-W2	8"	1/2"	7/16"	[10]
18	5"	3/8"	6-3/4"	2-1/4"	5-1/2"	[149.23]	YB118-R1	YB118-R2	YB118-R3	8"	1/2"	7/16"	1"	YB118-W1	YB118-W2	8"	1/2"	7/16"	[10]
19	5-1/2"	3/8"	8"	2-1/2"	6"	[161.93]	YB119-R1	YB119-R2	YB119-R3	9"	1/2"	7/16"	1"	YB119-W1	YB119-W2	9"	1/2"	7/16"	[10]
20	6"	3/8"	8"	2-1/2"	6-1/2"	[174.63]	YB120-R1	YB120-R2	YB120-R3	9"	1/2"	7/16"	1"	YB120-W1	YB120-W2	9"	1/2"	7/16"	[10]
21	6-1/2"	3/8"	8-1/4"	2-3/4"	7"	[187.33]	YB121-R1	YB121-R2	YB121-R3	10"	1/2"	7/16"	1"	YB121-W1	YB121-W2	10"	1/2"	7/16"	[10]
22	7"	3/8"	9"	2-3/4"	7-1/2"	[200]	YB122-R1	YB122-R2	YB122-R3	10-1/2"	1/2"	7/16"	1"	YB122-W1	YB122-W2	10"	1/2"	7/16"	[10]
23	7-1/2"	3/8"	9-1/4"	3"	8"	[212.73]	YB123-R1	YB123-R2	YB123-R3	11"	1/2"	7/16"	1"	YB123-W1	YB123-W2	11"	1/2"	7/16"	[10]
24	8"	3/8"	10-1/2"	3"	8-1/2"	[225.43]	YB124-R1	YB124-R2	YB124-R3	11"	1/2"	11/16"	1-1/2"	YB124-W1	YB124-W2	11"	1/2"	11/16"	[10]
25	9"	3/8"	11"	3"	9-1/2"	[250.83]	YB125-R1	YB125-R2	YB125-R3	12-1/2"	1/2"	11/16"	1-1/2"	YB125-W1	YB125-W2	12-1/2"	1/2"	11/16"	[10]
26	10"	3/8"	12"	3-1/2"	10-1/2"	[276.23]	YB126-R1	YB126-R2	YB126-R3	13-1/2"	1/2"	11/16"	1-1/2"	YB126-W1	YB126-W2	13-1/2"	1/2"	11/16"	[10]
27	10-1/2"	3/8"	12-3/4"	3-1/2"	11"	[288.93]	YB127-R1	YB127-R2	YB127-R3	14"	1/2"	11/16"	1-1/2"	YB127-W1	YB127-W2	14"	1/2"	11/16"	[10]
28	11"	3/8"	15"	4"	12"	[314.33]	YB128-R1	YB128-R2	YB128-R3	15"	1/2"	11/16"	1-1/2"	YB128-W1	YB128-W2	15"	1/2"	11/16"	[10]
29	12"	3/8"	15"	4"	12-1/2"	[327.03]	YB129-R1	YB129-R2	YB129-R3	16"	1/2"	11/16"	1-1/2"	YB129-W1	YB129-W2	16"	1/2"	11/16"	[10]

**Larger sizes, alternative materials and other surface coatings, other insulators, inkjet printed or embossed printed on insulator surface are available upon request.