

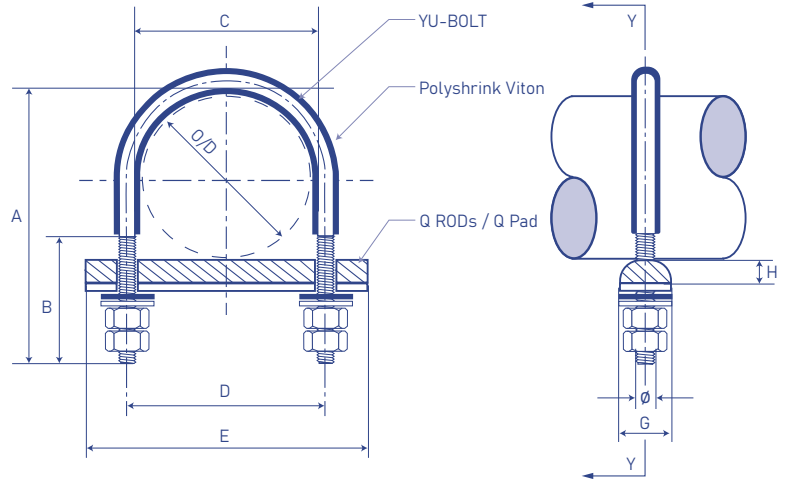
YU-BOLT TYPE 2 : YU-BOLT WITH VITON HEAVY SERIES



POLYSHRINK_{VITON} & Q RODs



POLYSHRINK_{VITON} & Q Pad



Part no.	Material	Coating			POLYSHRINK _{VITON}		QU RODs			Q Pad	
	Carbon steel	None	HDG	Xylan Blue	Inclusive	Exclusive	PTFE	Ultem 1000	Peek	Neoprene	Neoprene + PTFE
YB2XX-C121R1	●		●		●		●				
YB2XX-C121R2	●		●		●			●			
YB2XX-C121R3	●		●		●				●		
YB2XX-C121W1	●		●		●					●	
YB2XX-C121W2	●		●		●						●
YB2XX-C131R1	●			●	●		●				
YB2XX-C131R2	●			●	●			●			
YB2XX-C131R3	●			●	●				●		
YB2XX-C131W1	●			●	●					●	
YB2XX-C131W2	●			●	●						●
YB2XX-C122R1	●		●			●	●				
YB2XX-C122R2	●		●			●		●			
YB2XX-C122R3	●		●			●			●		
YB2XX-C122W1	●		●			●				●	
YB2XX-C122W2	●		●			●					●
YB2XX-C132R1	●			●		●	●				
YB2XX-C132R2	●			●		●		●			
YB2XX-C132R3	●			●		●			●		
YB2XX-C132W1	●			●		●				●	
YB2XX-C132W2	●			●		●					●

*Polyshrink wall thickness : 0.89 +/- 0.18 mm

YU-BOLT							Q RODs							Q Pad					
Size	Normal pipe size	Bolt Diameter	YU-BOLT Height	Thread length	Inside gap	PCD	PTFE	Utem 1000	Peek	QU RODs length	QU RODs hole diameter	QU RODs width	QU RODs height	Neoprene Q Pad	Neoprene Q Pad & PTFE	Q Pad length	Q Pad hole diameter	Q Pad width	Q Pad height
(XX)	NPS	A	B	C	D					E	F	G	H			E	F	G	K
01	1/2"	3/8"	[60]	[35]	1"	[34.93]	YB201-R1	YB201-R2	YB201-R1	3"	1/2"	1"	7/16"	YB201-W1	YB201-W2	3"	1/2"	1"	[10]
02	3/4"	3/8"	[60]	[35]	1-1/8"	[38.11]	YB202-R1	YB202-R2	YB202-R1	3"	1/2"	1"	7/16"	YB202-W1	YB202-W2	3"	1/2"	1"	[10]
03	1"	3/8"	[75]	[35]	1-1/2"	[47.63]	YB203-R1	YB203-R2	YB203-R1	3"	1/2"	1"	7/16"	YB203-W1	YB203-W2	3"	1/2"	1"	[10]
04	1-1/4"	3/8"	[75]	[35]	1-3/4"	[53.98]	YB204-R1	YB204-R2	YB204-R1	3-1/2"	1/2"	1"	7/16"	YB204-W1	YB204-W2	3-1/2"	1/2"	1"	[10]
05	1-1/2"	3/8"	[80]	[45]	2"	[60.33]	YB205-R1	YB205-R2	YB205-R1	4"	1/2"	1"	7/16"	YB205-W1	YB205-W2	4"	1/2"	1"	[10]
06	2"	3/8"	[100]	[50]	2-1/2"	[73.03]	YB206-R1	YB206-R2	YB206-R1	4-1/2"	1/2"	1"	7/16"	YB206-W1	YB206-W2	4-1/2"	1/2"	1"	[10]
07	2-1/2"	3/8"	[110]	[50]	3"	[85.73]	YB207-R1	YB207-R2	YB207-R1	5"	1/2"	1"	7/16"	YB207-W1	YB207-W2	5"	1/2"	1"	[10]
08	3"	1/2"	[140]	[75]	3-1/2"	[101.6]	YB208-R1	YB208-R2	YB208-R1	6"	5/8"	1"	7/16"	YB208-W1	YB208-W2	6"	5/8"	1"	[10]
09	4"	5/8"	[165]	[91]	4-1/2"	[130.18]	YB209-R1	YB209-R2	YB209-R1	8"	3/4"	1"	7/16"	YB209-W1	YB209-W2	8"	3/4"	1"	[10]
10	5"	5/8"	[190]	[90]	5-1/2"	[155.58]	YB210-R1	YB210-R2	YB210-R1	9"	3/4"	1"	7/16"	YB210-W1	YB210-W2	9"	3/4"	1"	[10]
11	6"	5/8"	[230]	[100]	6-3/4"	[187.33]	YB211-R1	YB211-R2	YB211-R1	10"	3/4"	1"	7/16"	YB211-W1	YB211-W2	10"	3/4"	1"	[10]
12	7"	5/8"	[225]	[100]	7-1/2"	[206.38]	YB212-R1	YB212-R2	YB212-R1	10-1/2"	3/4"	1"	7/16"	YB212-W1	YB212-W2	10-1/2"	3/4"	1"	[10]
13	8"	5/8"	[280]	[100]	8-3/4"	[238.13]	YB213-R1	YB213-R2	YB213-R1	11"	3/4"	1"	7/16"	YB213-W1	YB213-W2	11"	3/4"	1"	[10]
14	8"	3/4"	[280]	[100]	8-3/4"	[241.3]	YB214-R1	YB214-R2	YB214-R1	11"	3/4"	1-1/2"	11/16"	YB214-W1	YB214-W2	11"	3/4"	1-1/2"	[10]
15	10"	5/8"	[320]	[110]	10-3/4"	[288.93]	YB215-R1	YB215-R2	YB215-R1	14"	3/4"	1"	7/16"	YB215-W1	YB215-W2	14"	3/4"	1"	[10]
16	10"	3/4"	[320]	[110]	10-3/4"	[292.1]	YB216-R1	YB216-R2	YB216-R1	14"	7/8"	1-1/2"	11/16"	YB216-W1	YB216-W2	14"	7/8"	1-1/2"	[10]
17	12"	5/8"	[392]	[110]	12-3/4"	[339.73]	YB217-R1	YB217-R2	YB217-R1	16"	3/4"	1"	7/16"	YB217-W1	YB217-W2	16"	3/4"	1"	[10]
18	12"	3/4"	[392]	[110]	12-3/4"	[342.9]	YB218-R1	YB218-R2	YB218-R1	16"	7/8"	1-1/2"	11/16"	YB218-W1	YB218-W2	16"	7/8"	1-1/2"	[10]
19	12"	7/8"	[392]	[110]	12-3/4"	[346.08]	YB219-R1	YB219-R2	YB219-R1	16"	1"	1"	7/16"	YB219-W1	YB219-W2	16"	1"	1"	[10]
20	14"	5/8"	[436]	[110]	14-1/2"	[384.18]	YB220-R1	YB220-R2	YB220-R1	17"	3/4"	1"	7/16"	YB220-W1	YB220-W2	17"	3/4"	1"	[10]
21	14"	3/4"	[436]	[110]	14-1/2"	[387.35]	YB221-R1	YB221-R2	YB221-R1	17-1/2"	7/8"	1-1/2"	11/16"	YB221-W1	YB221-W2	17-1/2"	7/8"	1-1/2"	[10]
22	14"	7/8"	[436]	[110]	14-1/2"	[390.53]	YB222-R1	YB222-R2	YB222-R1	18"	1"	1-1/2"	11/16"	YB222-W1	YB222-W2	18"	1"	1-1/2"	[10]
23	14"	1"	[436]	[110]	14-1/2"	[393.7]	YB223-R1	YB223-R2	YB223-R1	18"	1-1/8"	1-1/2"	11/16"	YB223-W1	YB223-W2	18"	1-1/8"	1-1/2"	[10]
24	16"	3/4"	[486]	[110]	16-1/2"	[438.15]	YB224-R1	YB224-R2	YB224-R1	19"	7/8"	1-1/2"	11/16"	YB224-W1	YB224-W2	19"	7/8"	1-1/2"	[10]
25	16"	7/8"	[486]	[110]	16-1/2"	[441.33]	YB225-R1	YB225-R2	YB225-R1	19-1/2"	1"	1-1/2"	11/16"	YB225-W1	YB225-W2	19-1/2"	1"	1-1/2"	[10]
26	16"	1"	[486]	[110]	16-1/2"	[444.5]	YB226-R1	YB226-R2	YB226-R1	19-1/2"	1-1/8"	1-1/2"	11/16"	YB226-W1	YB226-W2	19-1/2"	1-1/8"	1-1/2"	[10]
27	18"	3/4"	[558]	[110]	18-1/2"	[488.95]	YB227-R1	YB227-R2	YB227-R1	21"	7/8"	1-1/2"	11/16"	YB227-W1	YB227-W2	21"	7/8"	1-1/2"	[10]
28	18"	7/8"	[558]	[110]	18-1/2"	[492.13]	YB228-R1	YB228-R2	YB228-R1	21-1/2"	1"	1-1/2"	11/16"	YB228-W1	YB228-W2	21-1/2"	1"	1-1/2"	[10]
29	18"	1"	[558]	[110]	18-1/2"	[495.3]	YB229-R1	YB229-R2	YB229-R1	21-1/2"	1-1/8"	1-1/2"	11/16"	YB229-W1	YB229-W2	21-1/2"	1-1/8"	1-1/2"	[10]
30	24"	3/4"	[698]	[110]	24-1/2"	[641.35]	YB230-R1	YB230-R2	YB230-R1	27-1/2"	7/8"	1-1/2"	11/16"	YB230-W1	YB230-W2	27-1/2"	7/8"	1-1/2"	[10]
31	24"	7/8"	[698]	[110]	24-1/2"	[644.53]	YB231-R1	YB231-R2	YB231-R1	27-1/2"	1"	1-1/2"	11/16"	YB231-W1	YB231-W2	27-1/2"	1"	1-1/2"	[10]
32	24"	1"	[698]	[110]	24-1/2"	[647.7]	YB232-R1	YB232-R2	YB232-R1	28"	1-1/8"	1-1/2"	11/16"	YB232-W1	YB232-W2	28"	1-1/8"	1-1/2"	[10]

**Larger sizes, alternative materials and other surface coatings, other insulators, inkjet printed or embossed printed on insulator surface are available upon request.