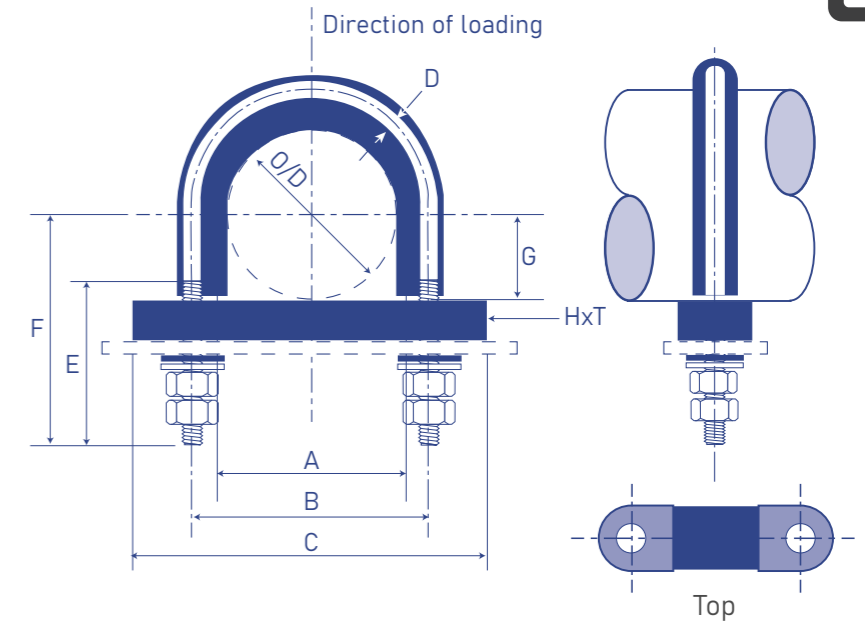


YU-BOLT TYPE 3 :
YU-BOLT WITH INSULATED
(TO GRIP)

TYPE : 70/80 FRN & HT/FRS
 SIZE : NORMAL



*Polyshrink wall thickness : 0.89 +/- 0.18 mm

YU-BOLT

| Stainless Steel 304 | | Stainless Steel 316 | | Carbon Steel with A123 HDG | | Pipe NB | Pipe O/D | A | B | C | Dia.D | E | F | G | HxT | Max Load |
|---------------------|--------------|---------------------|--------------|----------------------------|--------------|---------|----------|-----|-----|-----|-------|-----|-----|-------|-------|----------|
| 70/80 FRN | HT/FRS | 70/80 FRN | HT/FRS | 70/80 FRN | HT/FRS | mm | mm | mm | mm | mm | mm | mm | mm | mm | mm | kg |
| YB301-S113N1 | YB301-S113N2 | YB301-S213N1 | YB301-S213N2 | YB301-C123N1 | YB301-C123N2 | 15 | 21.3 | 21 | 37 | 60 | M6 | 60 | 60 | 10.5 | 25x10 | 220 |
| YB302-S113N1 | YB302-S113N2 | YB302-S213N1 | YB302-S213N2 | YB302-C123N1 | YB302-C123N2 | 20 | 26.9 | 27 | 43 | 70 | M6 | 60 | 65 | 13.5 | 25x10 | |
| YB303-S113N1 | YB303-S113N2 | YB303-S213N1 | YB303-S213N2 | YB303-C123N1 | YB303-C123N2 | 25 | 33.7 | 34 | 50 | 75 | M6 | 60 | 65 | 17 | 25x10 | |
| YB304-S113N1 | YB304-S113N2 | YB304-S213N1 | YB304-S213N2 | YB304-C123N1 | YB304-C123N2 | 32 | 42.4 | 43 | 69 | 95 | M10 | 70 | 80 | 21.5 | 25x10 | 545 |
| YB305-S113N1 | YB305-S113N2 | YB305-S213N1 | YB305-S213N2 | YB305-C123N1 | YB305-C123N2 | 40 | 48.3 | 49 | 75 | 100 | M10 | 70 | 80 | 24.5 | 25x10 | |
| YB306-S113N1 | YB306-S113N2 | YB306-S213N1 | YB306-S213N2 | YB306-C123N1 | YB306-C123N2 | 50 | 60.3 | 61 | 87 | 110 | M10 | 75 | 90 | 30.5 | 25x10 | |
| YB307-S113N1 | YB307-S113N2 | YB307-S213N1 | YB307-S213N2 | YB307-C123N1 | YB307-C123N2 | 65 | 73.0 | 73 | 99 | 130 | M12 | 75 | 95 | 36.5 | 30x10 | 1000 |
| YB308-S113N1 | YB308-S113N2 | YB308-S213N1 | YB308-S213N2 | YB308-C123N1 | YB308-C123N2 | 80 | 88.9 | 89 | 115 | 140 | M12 | 75 | 100 | 44.5 | 30x10 | |
| YB309-S113N1 | YB309-S113N2 | YB309-S213N1 | YB309-S213N2 | YB309-C123N1 | YB309-C123N2 | 100 | 114.3 | 115 | 141 | 170 | M12 | 75 | 110 | 57.5 | 30x10 | |
| YB310-S113N1 | YB310-S113N2 | YB310-S213N1 | YB310-S213N2 | YB310-C123N1 | YB310-C123N2 | 150 | 168.3 | 168 | 210 | 250 | M16 | 120 | 180 | 84 | 50x10 | 1635 |
| YB311-S113N1 | YB311-S113N2 | YB311-S213N1 | YB311-S213N2 | YB311-C123N1 | YB311-C123N2 | 200 | 219.1 | 219 | 262 | 315 | M16 | 120 | 200 | 109.5 | 50x10 | |
| YB312-S113N1 | YB312-S113N2 | YB312-S213N1 | YB312-S213N2 | YB312-C123N1 | YB312-C123N2 | 250 | 273.0 | 273 | 324 | 375 | M20 | 130 | 235 | 136.5 | 50x10 | |
| YB313-S113N1 | YB313-S113N2 | YB313-S213N1 | YB313-S213N2 | YB313-C123N1 | YB313-C123N2 | 300 | 323.9 | 324 | 375 | 425 | M20 | 130 | 265 | 162 | 50x10 | 3405 |
| YB314-S113N1 | YB314-S113N2 | YB314-S213N1 | YB314-S213N2 | YB314-C123N1 | YB314-C123N2 | 350 | 355.6 | 356 | 407 | 460 | M20 | 130 | 280 | 178 | 50x10 | |
| YB315-S113N1 | YB315-S113N2 | YB315-S213N1 | YB315-S213N2 | YB315-C123N1 | YB315-C123N2 | 400 | 406.4 | 407 | 458 | 510 | M20 | 130 | 305 | 203.5 | 50x10 | |

**Larger sizes, alternative materials and other surface coatings are available on request.