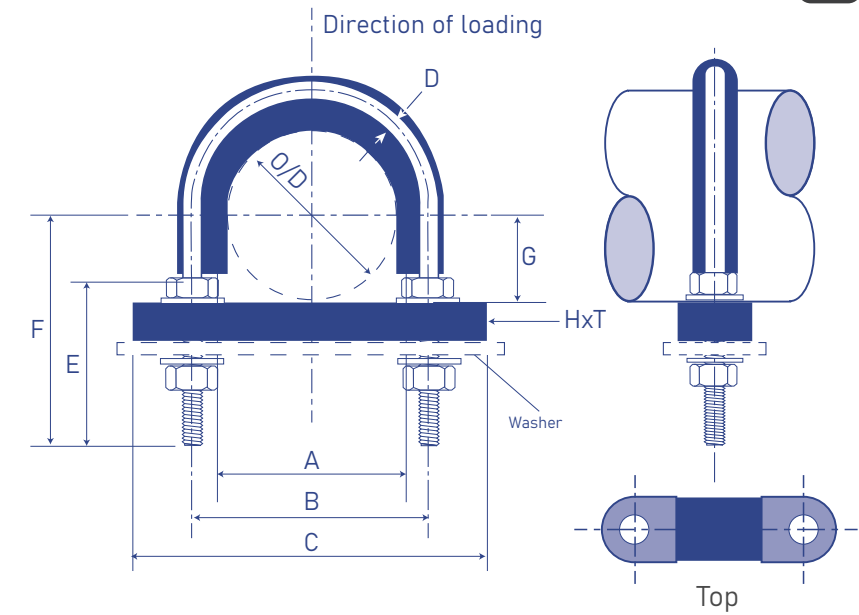


YU-BOLT TYPE 4 :
YU-BOLT WITH INSULATED
(NOT TO GRIP)

TYPE : 70/80 FRN & HT/FRS
 SIZE : NORMAL



*Polyshrink wall thickness : 0.89 +/- 0.18 mm

YU-BOLT

Stainless Steel 304		Stainless Steel 316		Carbon Steel with A123 HDG		Pipe NB	Pipe O/D	A	B	C	Dia.D	E	F	G	HxT	Max Load
70/80 FRN	HT/FRS	70/80 FRN	HT/FRS	70/80 FRN	HT/FRS	mm	mm	mm	mm	mm	mm	mm	mm	mm	mm	kg
YB401-S113N1	YB401-S113N2	YB401-S213N1	YB401-S213N2	YB401-C123N1	YB401-C123N2	15	21.3	23	37	60	M6	60	60	11.5	25x10	220
YB402-S113N1	YB402-S113N2	YB402-S213N1	YB402-S213N2	YB402-C123N1	YB402-C123N2	20	26.9	29	43	70	M6	60	65	14.5	25x10	
YB403-S113N1	YB403-S113N2	YB403-S213N1	YB403-S213N2	YB403-C123N1	YB403-C123N2	25	33.7	36	50	75	M6	60	65	18	25x10	
YB404-S113N1	YB404-S113N2	YB404-S213N1	YB404-S213N2	YB404-C123N1	YB404-C123N2	32	42.4	45	69	95	M10	70	80	22.5	25x10	545
YB405-S113N1	YB405-S113N2	YB405-S213N1	YB405-S213N2	YB405-C123N1	YB405-C123N2	40	48.3	52	75	100	M10	70	80	26	25x10	
YB406-S113N1	YB406-S113N2	YB406-S213N1	YB406-S213N2	YB406-C123N1	YB406-C123N2	50	60.3	64	87	110	M10	75	90	32	25x10	
YB407-S113N1	YB407-S113N2	YB407-S213N1	YB407-S213N2	YB407-C123N1	YB407-C123N2	65	73.0	76	99	130	M12	75	95	38	30x10	1000
YB408-S113N1	YB408-S113N2	YB408-S213N1	YB408-S213N2	YB408-C123N1	YB408-C123N2	80	88.9	92	115	140	M12	75	100	46	30x10	
YB409-S113N1	YB409-S113N2	YB409-S213N1	YB409-S213N2	YB409-C123N1	YB409-C123N2	100	114.3	118	141	170	M12	75	110	59	30x10	
YB410-S113N1	YB410-S113N2	YB410-S213N1	YB410-S213N2	YB410-C123N1	YB410-C123N2	150	168.3	172	210	250	M16	120	180	86	50x10	1635
YB411-S113N1	YB411-S113N2	YB411-S213N1	YB411-S213N2	YB411-C123N1	YB411-C123N2	200	219.1	224	262	315	M16	120	200	112	50x10	
YB412-S113N1	YB412-S113N2	YB412-S213N1	YB412-S213N2	YB412-C123N1	YB412-C123N2	250	273.0	278	324	375	M20	130	235	139	50x10	
YB413-S113N1	YB413-S113N2	YB413-S213N1	YB413-S213N2	YB413-C123N1	YB413-C123N2	300	232.9	329	375	425	M20	130	265	164.5	50x10	3405
YB414-S113N1	YB414-S113N2	YB414-S213N1	YB414-S213N2	YB414-C123N1	YB414-C123N2	350	355.6	362	407	460	M20	130	280	181	50x10	
YB415-S113N1	YB415-S113N2	YB415-S213N1	YB415-S213N2	YB415-C123N1	YB415-C123N2	400	406.4	413	458	510	M20	130	305	206.5	50x10	

**Larger sizes, alternative materials and other surface coatings are available on request.