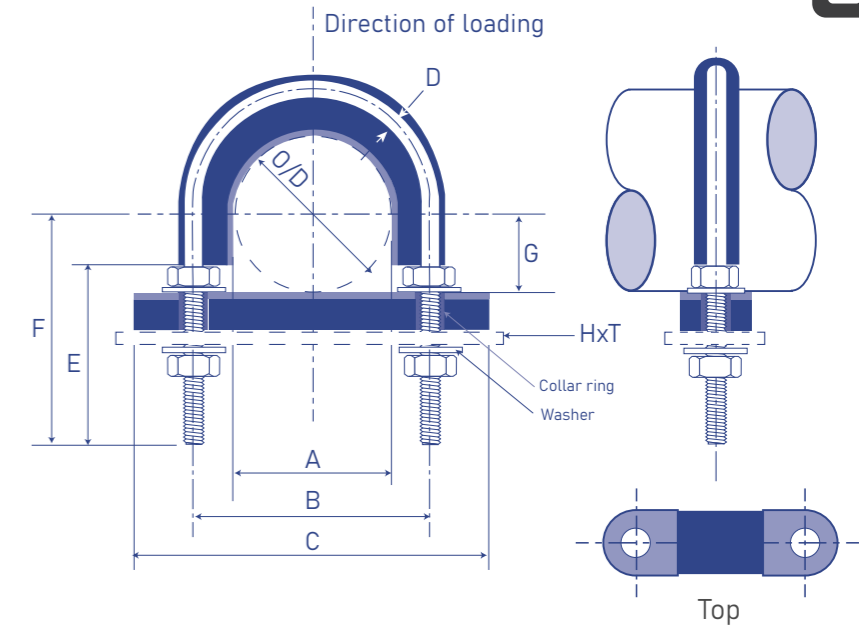


YU-BOLT TYPE 5 : YU-BOLT WITH INSULATED & PTFE (NOT TO GRIP)



TYPE : 70/80 FRN & HT/FRS

SIZE : NORMAL



*Polyshrink wall thickness : 0.89 +/- 0.18 mm

YU-BOLT

Stainless Steel 304		Stainless Steel 316		Carbon Steel with A123 HDG		Pipe NB	Pipe O/D	A	B	C	Dia.D	E	F	G	HxT	Max Load
70/80 FRN	HT/FRS	70/80 FRN	HT/FRS	70/80 FRN	HT/FRS	mm	mm	mm	mm	mm	mm	mm	mm	mm	mm	kg
YB501-S113N1	YB501-S113N2	YB501-S213N1	YB501-S213N2	YB501-C123N1	YB501-C123N2	15	21.3	21	37	60	M6	60	60	10.5	25x10	220
YB502-S113N1	YB502-S113N2	YB502-S213N1	YB502-S213N2	YB502-C123N1	YB502-C123N2	20	26.9	27	43	70	M6	60	65	13.5	25x10	
YB503-S113N1	YB503-S113N2	YB503-S213N1	YB503-S213N2	YB503-C123N1	YB503-C123N2	25	33.7	34	50	75	M6	60	65	17	25x10	
YB504-S113N1	YB504-S113N2	YB504-S213N1	YB504-S213N2	YB504-C123N1	YB504-C123N2	32	42.4	43	69	95	M10	70	80	21.5	25x10	545
YB505-S113N1	YB505-S113N2	YB505-S213N1	YB505-S213N2	YB505-C123N1	YB505-C123N2	40	48.3	49	75	100	M10	70	80	24.5	25x10	
YB506-S113N1	YB506-S113N2	YB506-S213N1	YB506-S213N2	YB506-C123N1	YB506-C123N2	50	60.3	61	87	110	M10	75	90	30.5	25x10	
YB507-S113N1	YB507-S113N2	YB507-S213N1	YB507-S213N2	YB507-C123N1	YB507-C123N2	65	73.0	73	99	130	M12	75	95	36.5	30x10	1000
YB508-S113N1	YB508-S113N2	YB508-S213N1	YB508-S213N2	YB508-C123N1	YB508-C123N2	80	88.9	89	115	140	M12	75	100	44.5	30x10	
YB509-S113N1	YB509-S113N2	YB509-S213N1	YB509-S213N2	YB509-C123N1	YB509-C123N2	100	114.3	115	141	170	M12	75	110	57.5	30x10	
YB510-S113N1	YB510-S113N2	YB510-S213N1	YB510-S213N2	YB510-C123N1	YB510-C123N2	150	168.3	168	210	250	M16	120	180	84	50x10	1635
YB511-S113N1	YB511-S113N2	YB511-S213N1	YB511-S213N2	YB511-C123N1	YB511-C123N2	200	219.1	219	262	315	M16	120	200	109.5	50x10	
YB512-S113N1	YB512-S113N2	YB512-S213N1	YB512-S213N2	YB512-C123N1	YB512-C123N2	250	273.0	273	324	375	M20	120	235	136.5	50x10	3405
YB513-S113N1	YB513-S113N2	YB513-S213N1	YB513-S213N2	YB513-C123N1	YB513-C123N2	300	232.9	324	375	425	M20	120	265	162	50x10	
YB514-S113N1	YB514-S113N2	YB514-S213N1	YB514-S213N2	YB514-C123N1	YB514-C123N2	350	355.6	356	407	460	M20	120	280	178	50x10	
YB515-S113N1	YB515-S113N2	YB515-S213N1	YB515-S213N2	YB515-C123N1	YB515-C123N2	400	406.4	407	458	510	M20	120	305	203.5	50x10	

**Larger sizes, alternative materials and other surface coatings are available on request.